



Horizontal and Vertical Point-Of-Use Wall Mounted Electric Water Heaters feature a space-saving design for installation in limited spaces

Performance

- Energy Efficiency rating up to 5-Stars
- FHR: 50 - 105 liters, based on liter capacity
- Recovery rate is 35 Liters at a 32 degree Celsius rise

Longer Life

- Magnesium anode rod that ensures long tank life
- High Quality Italian Thermostat

Features

- Durable copper heating element easy for replacement
- An integral over-temperature safety device and a childproof automatic thermostat are featured on all models
- Degree Of Protection IPX4
- Space saving design for installation in limited spaces

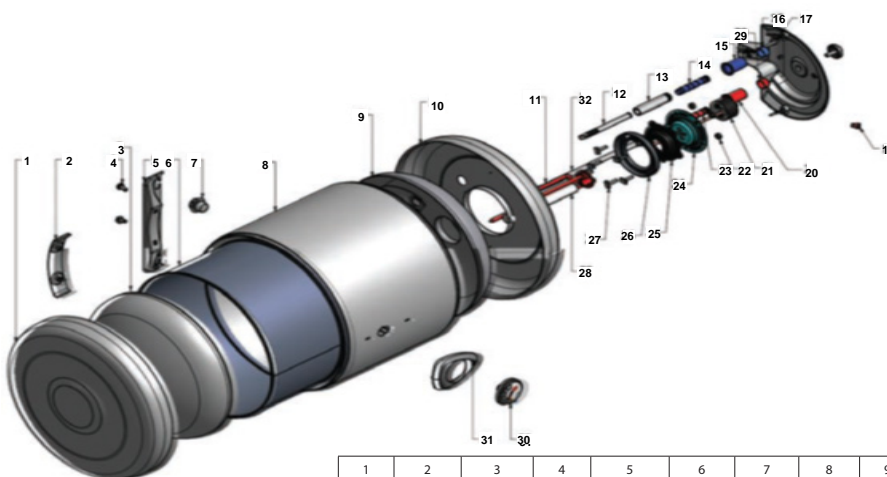
- Installed easily in replacement and new construction applications
- Factory installed heavy duty wall mounting bracket(s) included
- Universal Mounting Brackets that can retrofit any brand
- Standard pressure relief valve for tank Safety
- Proprietary Class 1 Polyurethane Foam insulation process for superior heat retention
- Maximum tank working pressure of 8.5 BAR - tested up to 15 BAR
- All water connections are 1/2"NPT

Warranty

- 5-Year limited tank warranty
- 1-year limited parts warranty

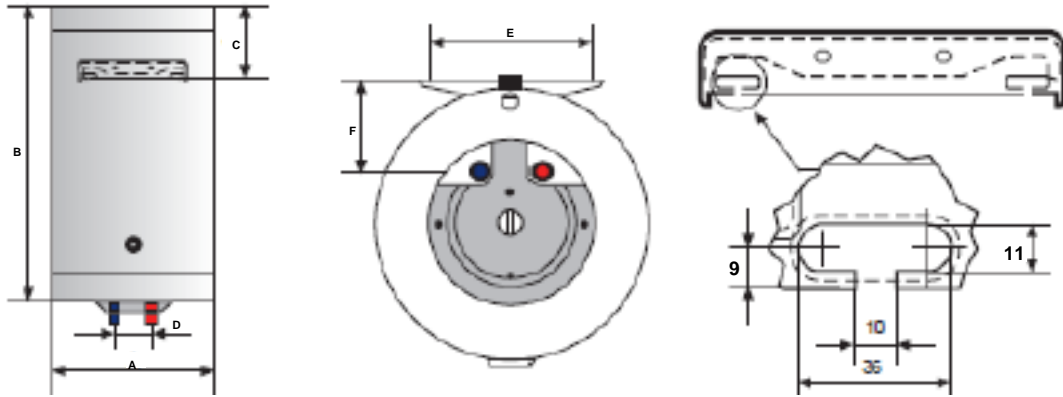


Point-Of-Use
 30, 50, 80 and 100 Liter Capacities
 230 Volt AC
 50Hz/60Hz
 2-Wire Single Phase Electric



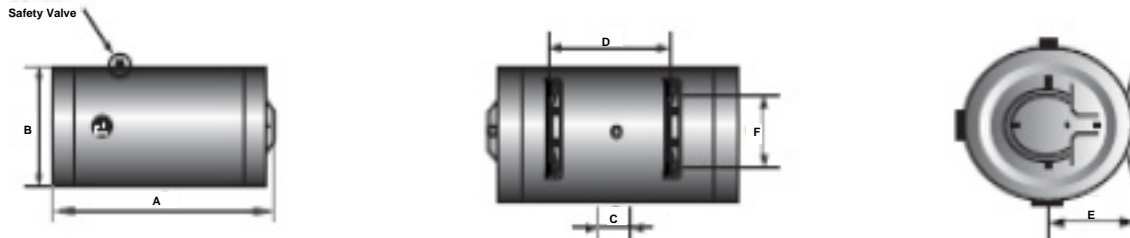
1	2	3	4	5	6	7	8	9	10	11	12	13	14	15	16
Outer Upper Cover	Inner Hanging	Inner Upper Dome	Screw M8*16	Outer Hanging	Inner Cylinder	Cover Foam Injection	Outer Cylinder	Inner Lower Dome	Lower Cover	Heating Element	Inlet Tube	1/2" Pipes	Spacer Tub (Blue)	Plastic Cover (Blue)	Plug for Steel Tube (Blue)
17	18	19	20	21	22	23	24	25	26	27	28	29	30	31	32
Fixlon Screw 4.2*13	Electrical Cover	Indicated Lamp	Plastic Cover (Red)	Thermostat	5 Nut's M6*1.25	Spacer Tube (Red)	Heater Flange	Gasket	Flange Tank	5 Screw's M 6*1.25	MG Anode	Plug for Steel Tube	Thermostat	Thermometer Frame	Outlet Tube

VERTICAL TYPE - WALL MOUNTED



MODEL	STORAGE CAPACITY		VOLTAGE (V)	POWER (W)	PACKING DIMENSIONS (MM)	SHIPPING WEIGHT		A (MM)	B (MM)	C (MM)	D (MM)	E (MM)	F (MM)
	LIT.	GAL.				LBS	KG						
RU-FMR030-VF	30	8	230	1500	410 x 386 x 532	23	11	370	475	189	100	240	113
RU-FMG050-VF	50	13	230	1500	490 x 480 x 590	33	17	450	496	190	100	240	136
RU-FMG080-VF	80	21	230	2000	490 x 480 x 802	44	23	450	700	190	100	240	136
RU-FMG100-VF	100	26	230	2000	490 x 480 x 947	55	26	846	846	190	100	240	136

HORIZONTAL TYPE - WALL MOUNTED



MODEL	STORAGE CAPACITY		VOLTAGE (V)	POWER (W)	PACKING DIMENSIONS (MM)	SHIPPING WEIGHT		A (MM)	B (MM)	C (MM)	D (MM)	E (MM)	F (MM)
	LIT.	GAL.				LBS	KG						
RU-FMG050-HF-1.2 *	50	13	230	1200	490 x 480 x 603	33	17	541	450	100	145	237	240
RU-FMG050-HF	50	13	230	1500	490 x 480 x 603	33	17	541	450	100	145	237	240
RU-FMG080-HF-1.2 *	80	21	230	1200	490 x 480 x 837	44	23	766	450	100	370	237	240
RU-FMG080-HF	80	21	230	2000	490 x 480 x 837	44	23	766	450	100	370	237	240
RU-FMG100-HF-1.2 *	100	26	230	1200	490 x 480 x 984	55	26	914	450	100	517	237	240
RU-FMG100-HF	100	26	230	2000	490 x 480 x 984	55	26	914	450	100	517	237	240

* G-Mark doesn't apply on the 1200 W Horizontal Models



GREENLAND EQUIPMENT & MACHINERY EST. (Exclusive RUUD distributor for the UAE)
 P.O. Box: 29482, Dubai, U.A.E. | Tel : +971 4 3334515 | Fax : +971 4 3203506 | Email: sales@greenland.ae